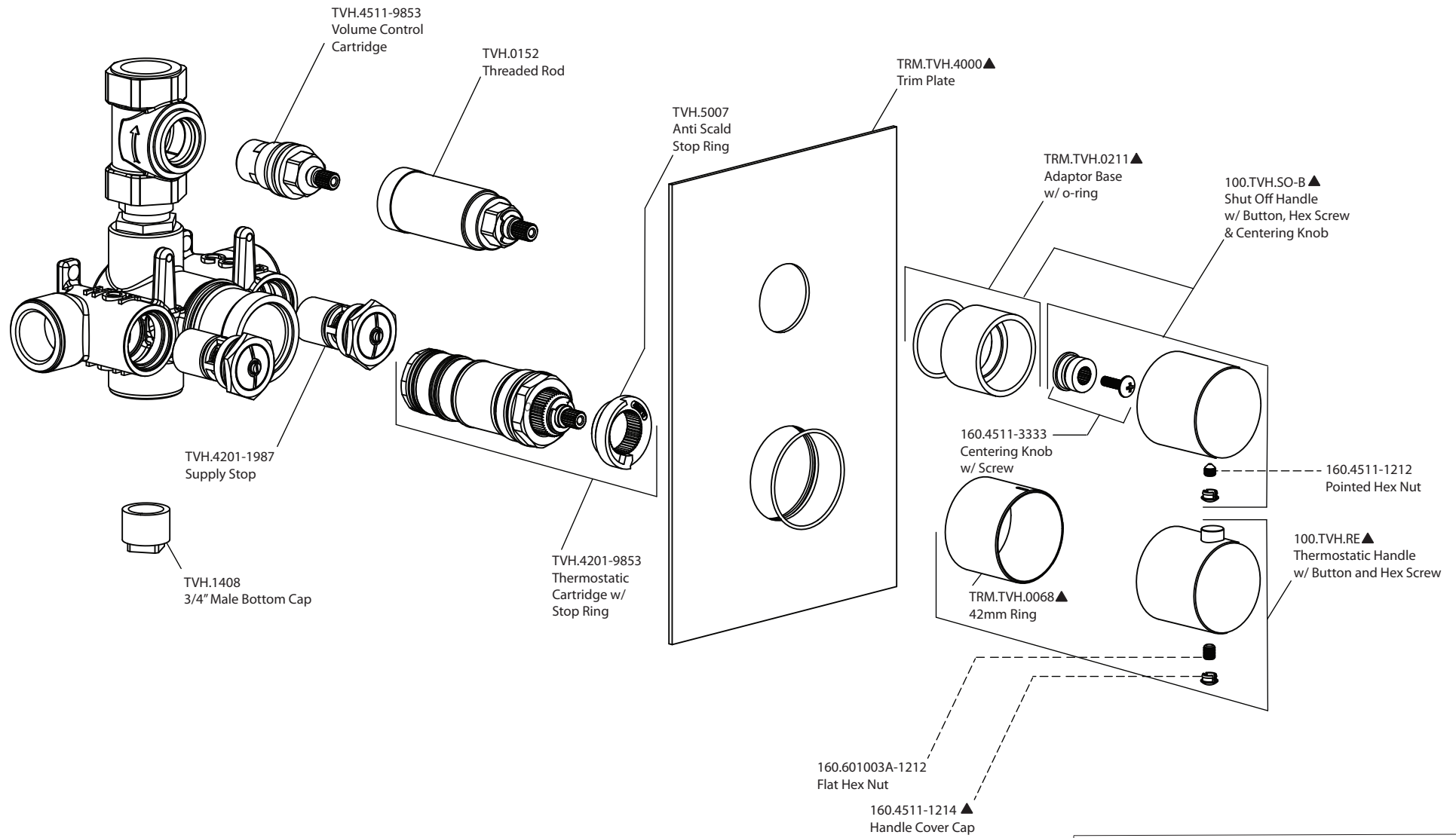


# Product Parts Breakdown



**isenberg**  
innovation+design

100.4101