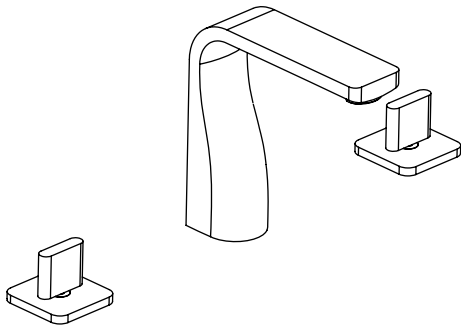


260.2000 | 8" Widespread 3-Hole Faucet



SPECIFICATIONS:

- Solid Brass construction
- Three Hole Installation
- 1.5 GPM Flow Rate @ 60 PSI (1.2 GPM For California)
- Ceramic disc cartridge allows volume control

FAST SHIP FINISHES :

- Chrome - 260.2000CP, Brushed Nickel - 260.2000BN

STANDARDS:

- ASME A112.18.1 / CSA B125.1, NSF-61



LowFlow Capable



Legislation Compliance



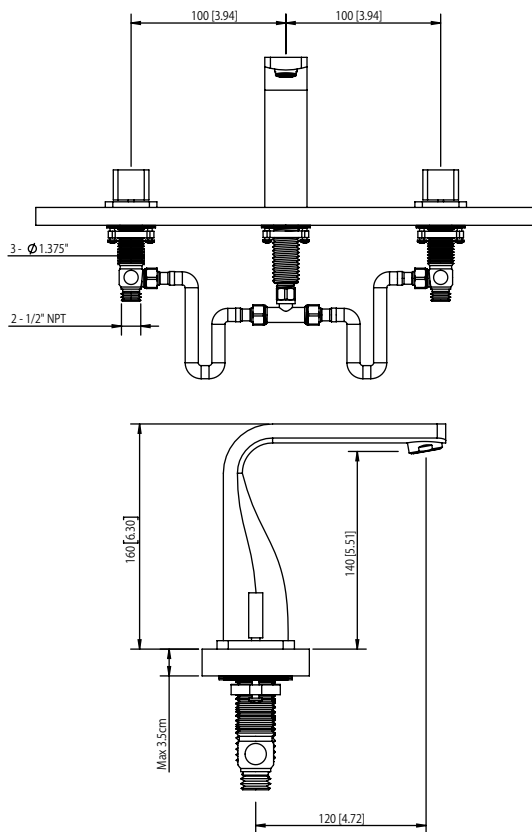
Low Lead Compliant



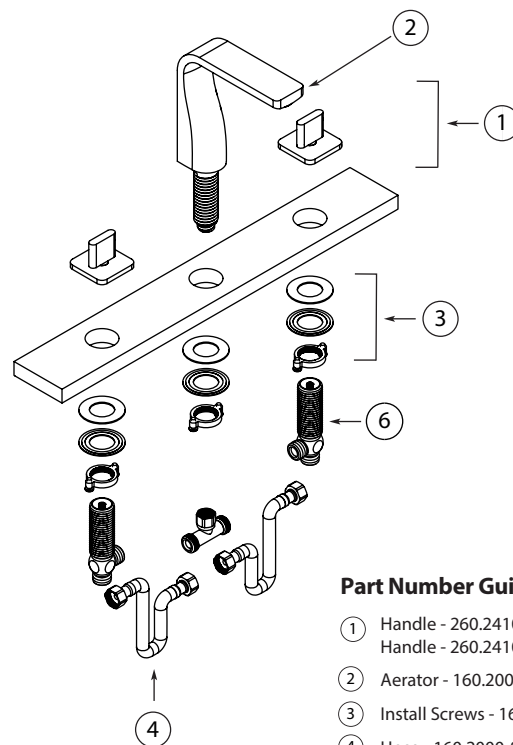
ZeroDrip Technology



Technical Diagram



Exploded View



Part Number Guide:

- ① Handle - 260.2410-2352CP - Chrome
Handle - 260.2410-2352BN - Brushed Nickel
- ② Aerator - 160.2000-2364
- ③ Install Screws - 160.2000-2581
- ④ Hose - 160.2000-8738
- ⑤ Cartridge - 160.2400-18000 (Hot)
Cartridge - 160.2400-18001 (Cold)
- ⑥ Spare Hot Valve - 24206
Spare Cold Valve - 24207